

CONSTRUCTION RANGE **MT-X**
Telehandlers



Handling your world

Founded over 60 years ago by the Braud family, the Manitou Group now operates worldwide. A world-leader in all-terrain material handling, the Group designs, manufactures, distributes and services equipment for construction, agriculture and industries.

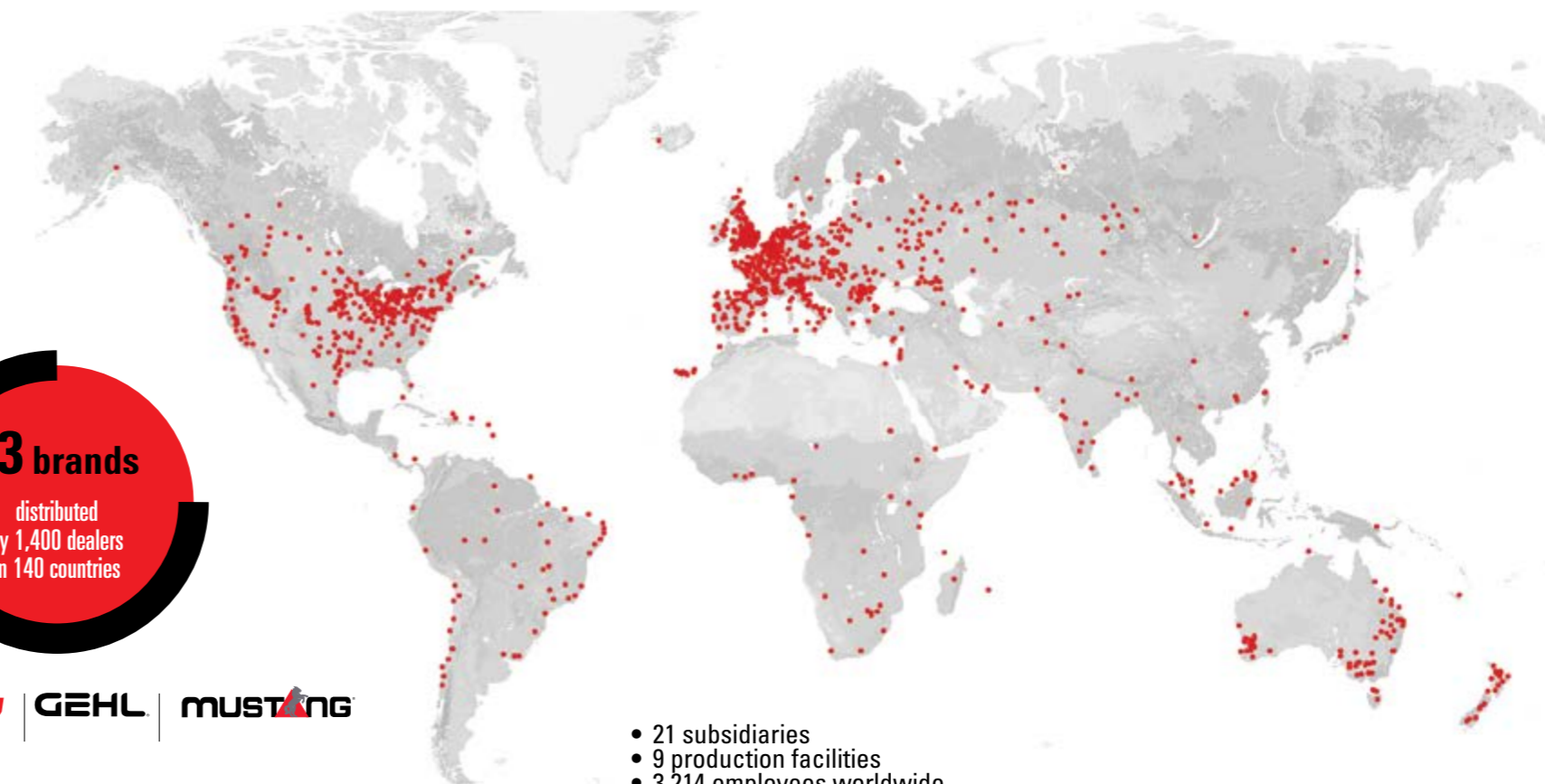
The Group's product ranges include: all-terrain telescopic fixed, rotating and heavy-load telehandlers; all-terrain, semi-industrial and industrial masted forklift trucks, articulated loaders, compact skid-steer loaders on wheels or tracks, access platforms, truck-mounted forklifts, warehousing equipment and attachments.

Through its iconic brands, Manitou, Gehl and Mustang, and its worldwide network of 1,400 dealers, the Group offers the best solutions to create optimum value for its customers.

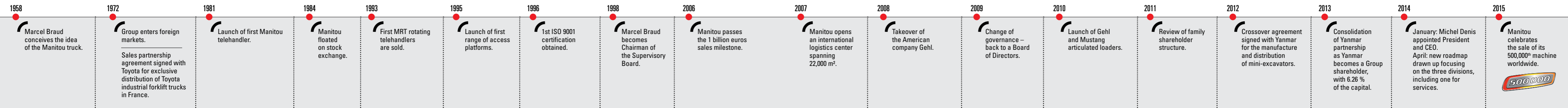
With headquarters in France, the Group registered a revenue in 2015 of 1,287 billion euros in 140 countries and employs 3,214 people who are all strongly focused on satisfying customers.



3 brands
distributed
by 1,400 dealers
in 140 countries



- 21 subsidiaries
- 9 production facilities
- 3,214 employees worldwide
- 65 % of the share capital held by the founding families
- 78 % of revenue comes from foreign markets
- Revenue of 1,287 billion euros in 2015





1981



Launch of the first Manitou fixed telehandler.

1989



Launch of the first MLT: the first fixed telehandler dedicated to the agricultural market.

1996



The visibility of the telehandlers is improved by mounting the engine on the side and modifying the position of the articulation point of the boom.

1999



Everything has changed, apart from the color! The design of Manitou forklifts has been completely revamped along more modern lines.

2004



Manitou launches the JSM (Joystick Switch and Move) the first joystick designed for the hand's contours and integrating both the hydraulic functions and the forward/reverse selector switch.

2007



Launch of the New Generations MTs

2015



Manitou celebrates the 6000th MT 625



Genuine know-how to ensure quality and safety

Our design offices, consisting of more than 200 engineers and technicians, have specialized in the design of your telehandlers for more than 30 years.

Manitou teams' expertise is based on their ability to produce safe, all-terrain, **efficient, maneuverable and versatile telehandlers.**

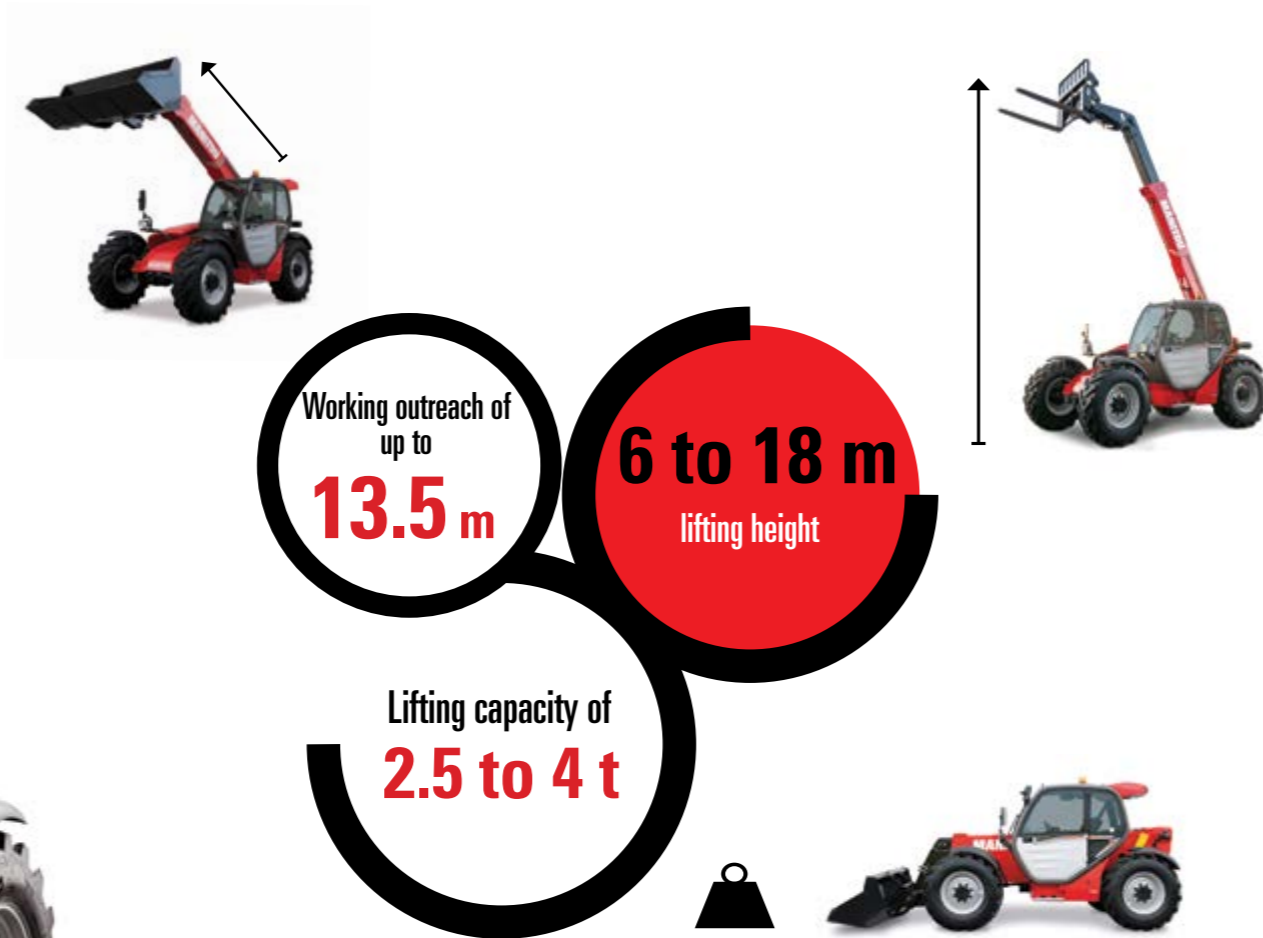
Manitou has become the material-handling reference and we are ready to assist you in a wide variety of operations.

The MT-X telehandlers range offers excellent working comfort **and a lifting capacity of up to 4 tons.**

The MT-X telehandlers range offers excellent working comfort and a lifting capacity of up to 4 tons.

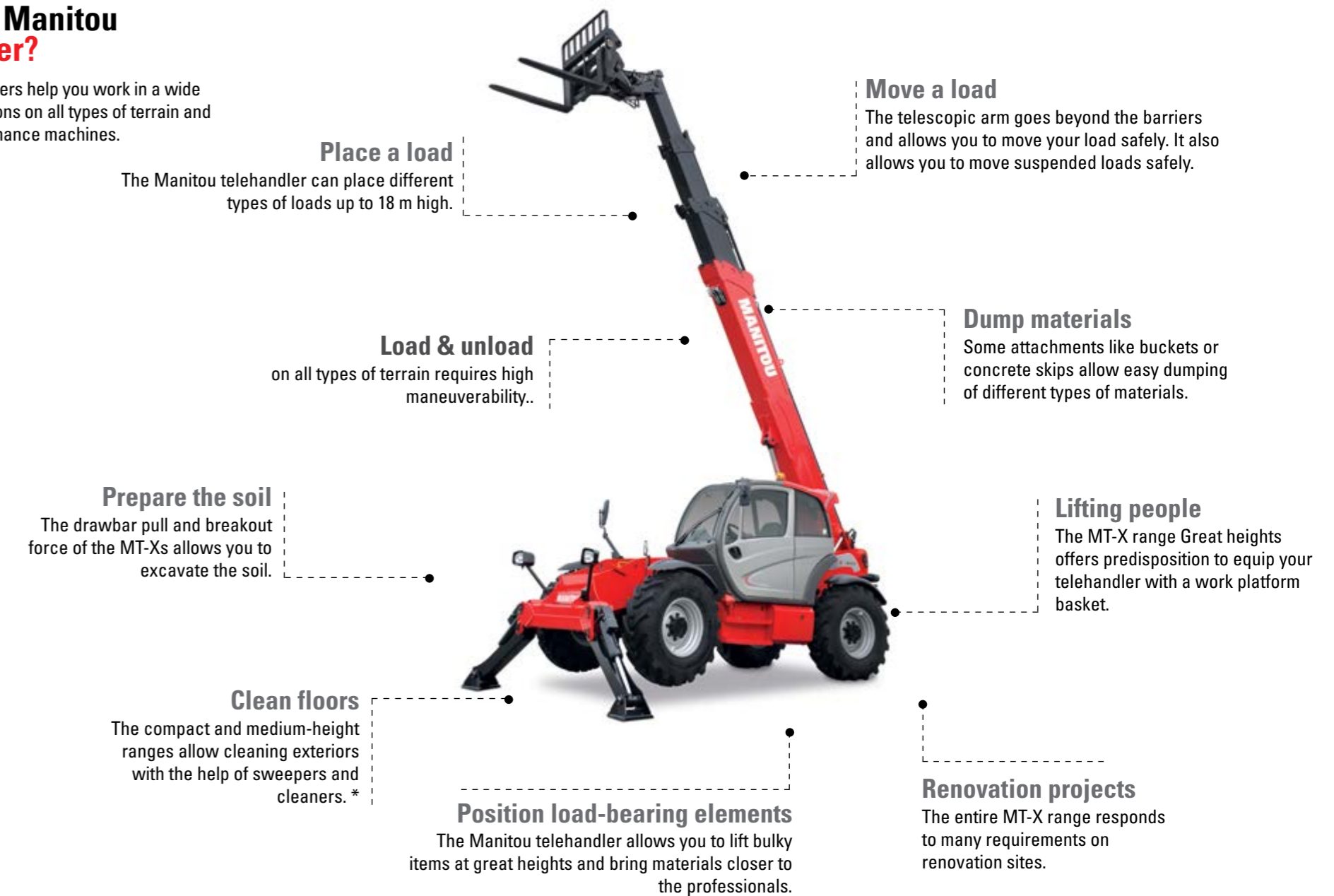
What is a **Manitou telehandler**?

Manitou telehandlers are material-handling machines ideally suited **for working in all-terrain conditions**. Our telehandlers are equipped with a telescopic boom **to ensure a large working area** thanks to an outreach and a working height adapted to your specific operations.



What is a Manitou telehandler?

Manitou telehandlers help you work in a wide range of applications on all types of terrain and using high performance machines.



* varies depending on the machine



VERSATILE MACHINES

To meet your needs, we can provide you with a range of attachments validated by Manitou and specially adapted for the MT-X range.

+ SAFETY
+ PRODUCTIVITY
 MANITOU ATTACHMENTS
 help improve the performance of
 your machine.



Save money by investing in multi-functional equipment!
 Manitou telehandlers are real tool-carriers, which can easily be fitted with the right attachment for your application.



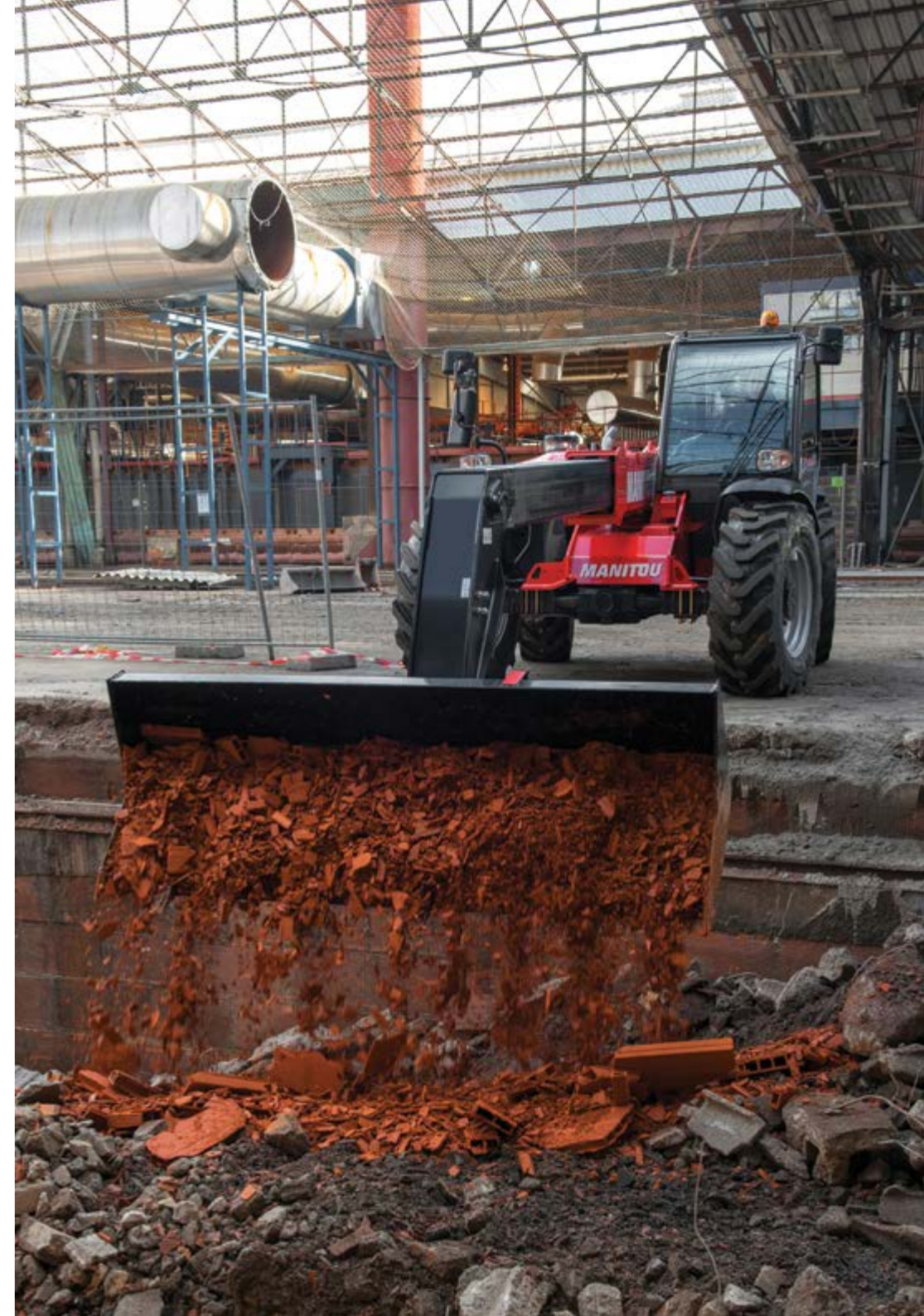
A simple and proven coupling system

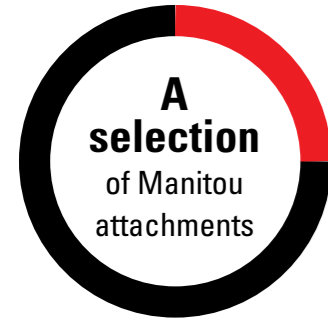
Thanks to the Manitou carriage, you can change your attachment easily in a few seconds.

LOAD OR UNLOAD
 a truck

SUSPENDED LOAD
 bulk material in the depot or on the work site.

ex : MT-X 1840
 1200 kg pallet
 up to 11.40 m
 in front of the machine
 and 17.60 m
 high





100 reference numbers

In addition to standard equipment with forks, Manitou offers a continuously changing selection of attachments from over 100 reference numbers.



Rehandling bucket (CBR)

Perfect for handling sand, earth or gravel, the CBR bucket can handle material with a density of equal to or less than 2100 kg/cm³.

Also available with reversible bolt-on wear plate.



Bucket 4 in 1 (CB4x1)

A versatile attachment fitted with a rear counter blade for ground leveling; internal teeth for handling cylindrical objects; and teeth designed for earthwork. The CB 4X1 bucket is suitable for materials with a density of equal to or less than 2100 kg/cm³.



Big Bag handler (HBB)

Increases efficiency and safety of Big Bag handling (1, 2 or 4 loops): the tubular construction with stoppers protects the Big Bags from damage and reduces the risk of bags falling. This attachment carries up to 4 big bags of 600 kg (1 loop) / 1 big bag of 2400 kg (4 loops).



Sweeper 2 en 1 (SCC)

Sweeps and picks up in one operation. Switch from a sweeper swather to a sweeper-picker + watering, available on certain models, in a few seconds without using tools.



Extension jib (P)

The ideal attachment for transportation and placement of beams and other items.



Concrete skip (BB)

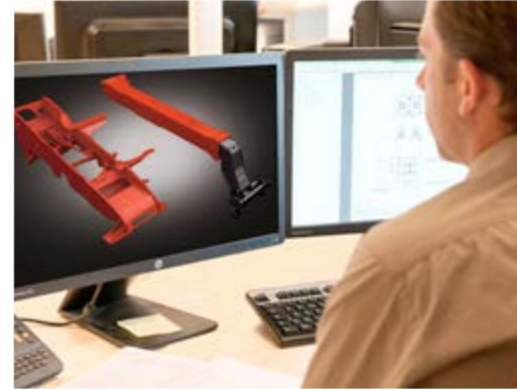
An attachment that allows optimal dumping of concrete, even in areas with difficult access (e.g. through a window frame).



Fast opening platform (PSE 4400)

Rapid opening platform. Guaranteed safety and maximum efficiency when working at heights (up to 1000 kg - 3 people).





Robust, reliable machines

We design and manufacture all the chassis and booms of our telehandlers. This enables us to offer equipment tailored to the work of the machine with optimum quality and proven robustness.

With more than 50 patents filed, our expertise in chassis and boom construction ensures the **reliability, robustness and longevity of your equipment.**



Engine power
75 hp for the MT-X 625
95 hp for the MT-X 732
101 hp for other models



Transmission adapted to your work site requirements

- **Hydrostatic transmission on the MT-X 625:** simple operation, ideally suited for space-restricted work sites.
- **Torque converter transmission for other models in the MT-X range:** the ideal solution for work requiring more torque. This type of transmission, combined with a four-speed mechanical

Maneuverable, all-terrain machines

Manitou telehandlers are designed to adapt perfectly to your work site requirements:

- **Short turning radius** from 3.31 m with the MT-X 625,
- **Compact size**, particularly suitable for small work sites,
 - **4 drive wheels.**
 - **Excellent drawbar pull,**
- **An impressive ground clearance** of 33 cm to 48 cm,
 - **An oscillating rear axle,**
- **A longitudinal stability indicator, coupled with the aggravating movements arrester system**, allows safe use of all the attachments on uneven surfaces.



Three steering modes available for maximum maneuverability:



- 2 front directional wheels to ensure greater safety on the road,
- 4 directional wheels for to increase maneuverability in any situation,
- Crab mode for sideways approaches and tricky unloading maneuvers.

The frame leveler, fitted as standard on all our telehandlers from 14 m, enables balance **to be corrected and load stability** to be maintained using a hydraulic control.

Machines that are easy to maintain

The machine's design allows **easy access to the main engine components** (filters, oil gauge, radiators, etc.) to facilitate daily checks. These items are directly accessible when you lift the gas spring assisted engine cover.

Some telehandlers are also fitted with a maintenance reminder system in the cabin.*

* System available on the MT-X 625, MT-X 1440/A, MT-X 1840/A.



**Machines wich are
easy to use**

Whichever machine you choose, we provide you with a spacious driver's cabin and ergonomic commands, for rapid mastery of the machine. In addition, the low articulation point of the boom ensures 360° visibility.




**Manitou works hard
to make your work easier !**

With the **JSM®** you can operate all hydraulic functions with just one hand, meaning you can keep one hand on the steering wheel at all times for maximum **safety**.

*disponible sur les MT-X 625, MT-X 732, MT-X1440/A, MT-X1840/A.

- 1 Travel direction selector: forward / reverse / neutral
- 2 Roller switch for extending / retracting the boom
- 3 Use of a hydraulic feature at the head of the boom


forward: lower boom
backward: lift boom
left: crowd
right: dump

**All the information you need
at your fingertips**

Whatever the model of the MT-X range, the instrument panel is clear and comprehensive, showing all the information needed (fuel level, longitudinal stability indicator, etc.)..





THE MODEL THAT'S RIGHT FOR YOU!

Choose from a range of 6 to 18 m telehandlers.
Options and all your attachments are also
available.

**Compact range
MT-X 625**



**Middle lift range
MT-X 732,
MT-X 1030 ST**

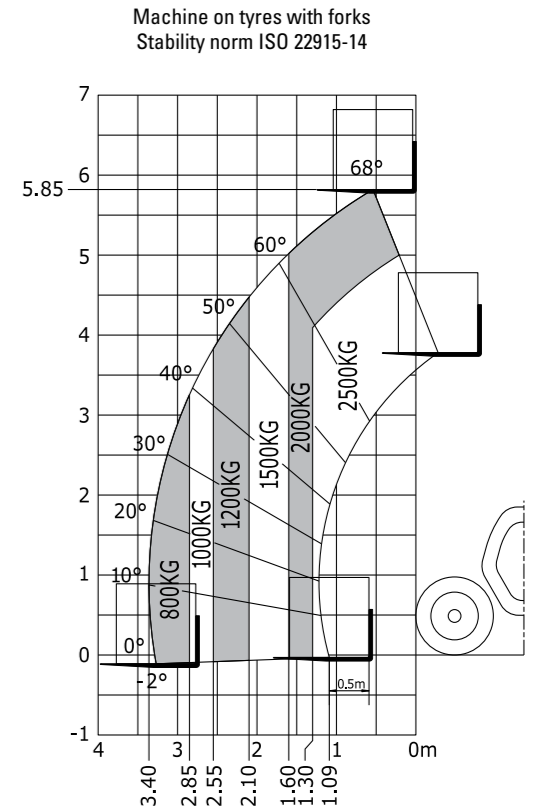


**High lift range
MT-X 1440/A ,
MT-X 1840 /A**



**COMPACT RANGE
MT-X 625**

Transmission*	H/C*	H
Power	ch (kW)	75 (55.4)
Motor brand	-	Kubota
Max. capacity	kg	2 500
Max. lifting height	m	5.85
Max. outreach	m	3.40
Stabilizers		No
Overall length to carriage	m	3.89
Overall width	m	1.81
Overall height	m	1.92
Turning radius (over tyres)	m	3.31
Ground clearance	m	0.33
Unladen weight (with forks)	kg	4710
Max. travel speed (may vary according to applicable regulations)	km/h	25



* H : Hydrostatic
C : Torque converter

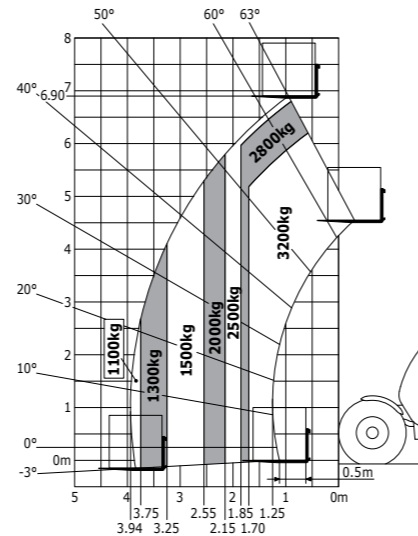


MIDDLE LIFT RANGE **MT-X 732**



Transmission*	H/C*	C
Power	ch (kW)	95 (70)
Motor brand	-	Perkins
Max. capacity	kg	3 200
Max. lifting height	m	6.90
Max. outreach	m	3.94
Stabilizers		No
Overall length to carriage	m	4.76
Overall width	m	2.26
Overall height	m	2.30
Turning radius (over tyres)	m	3.80
Ground clearance	m	0.44
Unladen weight (with forks)	kg	6945
Max. travel speed (may vary according to applicable regulations)	km/h	27

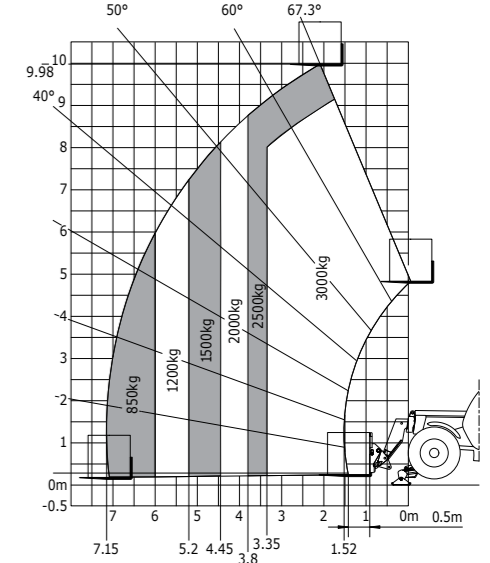
Machine on tyres with forks
Stability norm ISO 22915-14



MT-X 1030 ST

Transmission*	H/C*	C
Power	ch (kW)	101 (74.5)
Motor brand	-	Perkins
Max. capacity	kg	3 000
Max. lifting height	m	9.98
Max. outreach	m	7.15
Stabilizers		yes
Overall length to carriage	m	4.99
Overall width	m	2.26
Overall height	m	2.30
Turning radius (over tyres)	m	3.75
Ground clearance	m	0.44
Unladen weight (with forks)	kg	7525
Max. travel speed (may vary according to applicable regulations)	km/h	27

Machine on stabilizers with forks
Stability norm ISO 22915-14



* H : Hydrostatic
C : Torque converter

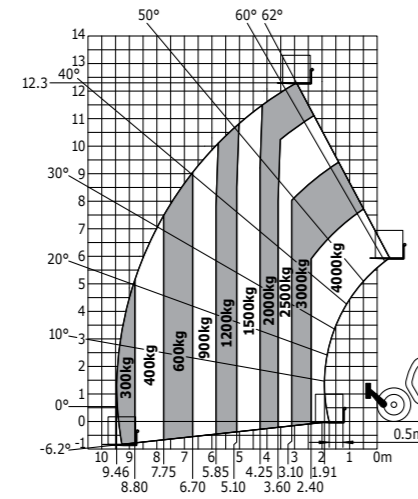
HIGH LIFT RANGE

MT-X 1440 MT-X 1440 A

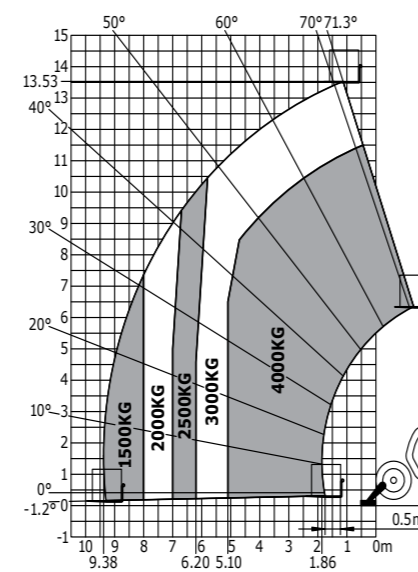
MT-X 1840 MT-X 1840 A



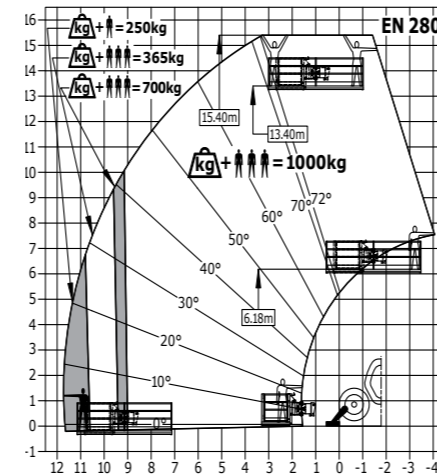
Machine on tyres with forks
Stability norm ISO 22915-14



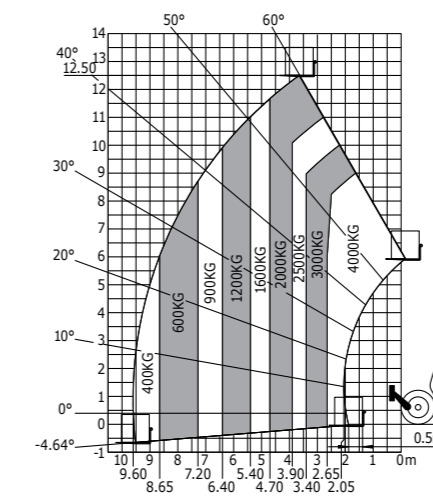
Machine on stabilizers with forks
Stability norm ISO 22915-14



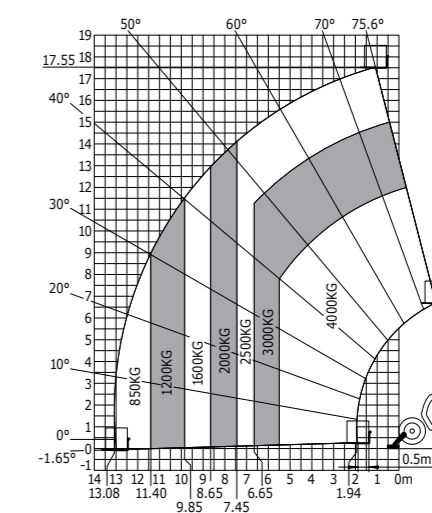
Machine on stabilizers with platform
MT-X 18440 A version
Stability norm ISO 22915-14



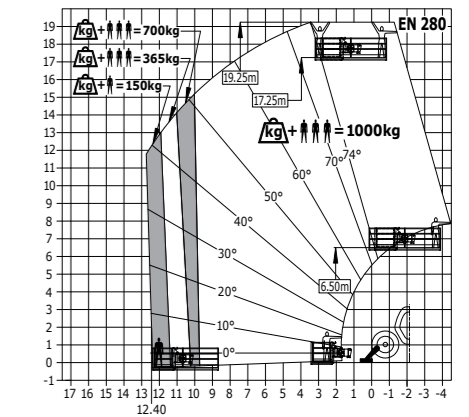
Machine on stabilizers with forks
Stability norm ISO 22915-14



Machine on stabilizers with forks
Norme EN 1459 Annexe B



Machine on stabilizers with platform
MT-X 1840 A version
Stability norm ISO 22915-14



Transmission*	H/C*	C
Power	ch (kW)	101 (74.5)
Motor brand	-	Perkins
Max. capacity	kg	4 000
Max. lifting height	m	13.53
Max. outreach	m	9.46
Stabilizers		Yes
Overall length to carriage	m	6.13

Overall width	m	2.35
Overall height	m	2.45
Turning radius (over tyres)	m	3.97
Ground clearance	m	0.37
Unladen weight (with forks)	kg	11115/11755
Max. travel speed (may vary according to applicable regulations)	km/h	35

Transmission*	H/C*	C
Power	ch (kW)	101 (74.5)
Motor brand	-	Perkins
Max. capacity	kg	4 000
Max. lifting height	m	17.55
Max. outreach	m	13.08
Stabilizers		Yes
Overall length to carriage	m	6.27

Overall width	m	2.42
Overall height	m	2.45
Turning radius (over tyres)	m	4.01
Ground clearance	m	0.42
Unladen weight (with forks)	kg	11600/12560
Max. travel speed (may vary according to applicable regulations)	km/h	35

* H : Hydrostatic
C : Torque converter



MANITOU IS HERE TO HELP !

To benefit from an operational telehandler all year long and prolong the life of your machine, Manitou offers a wide range of products and services which can be adapted to all your needs.



Expertise and service on a daily basis

Your Manitou dealer guarantees a complete range of services at all stages of your machine's life. The dealer will support you and adapt to your needs in order to provide the best solution.

1,400 dealers at your service

The Manitou network operates in more than 140 countries. In total, there are more than 2,000 expert technicians, specially trained in Manitou technology, who are at your service to assist with everything from purchasing to after-sales.



- Dealership network**
A network of experts at your service, whatever your activity (agriculture, construction, industry).
- Maintenance contracts**
3 levels of contract that are tailored to your needs: Initial, Advanced, and Excellence. Entrust the maintenance of your equipment to your dealer.
- Financing**
Lease or buy? Manitou Finance helps you choose the most suitable financing solution for your activity. Why look elsewhere?
- Warranty extension**
With Maniplus, you can extend the cover of your Manitou for up to 5 years. Use your equipment with peace of mind.
- Connected solution**
Easy Manager is a simple and flexible tool for managing, optimizing and securing the operational monitoring of your machines.
- Second-hand**
In the market for second-hand equipment? The Manitou network is here to help you. Visit manitou.used.com, our dedicated reference site for second-hand Manitou machines.
- Original spare parts**
With more than 70,000 products available, your Manitou dealer provides expertise and service on a daily basis!

REDUCE The Manitou Group's vision

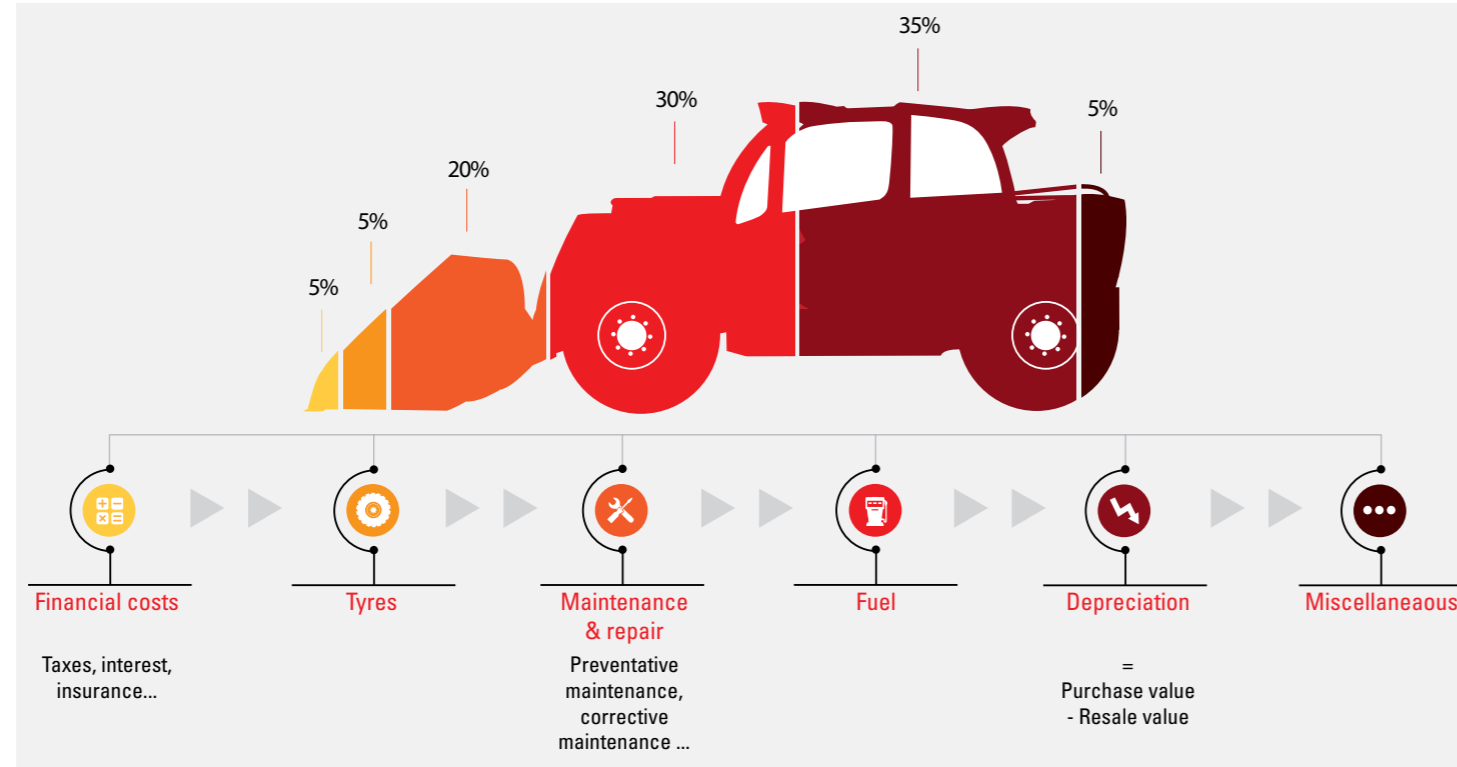
The REDUCE approach aims to improve our machine users' quality of life at work and enhance productivity and environmental protection. This calls for transparency of consumption data, reduced emissions, making people aware of the total cost of ownership (TCO), and greater emphasis on the health and safety of users.

Do you really know the total cost of ownership of your equipment?

REDUCE TCO (Total Cost of Ownership) gives you detailed information about the breakdown of cost items for your machine and helps you to optimize the profitability of your production tool.



Calculate your TCO on tco.manitou.com



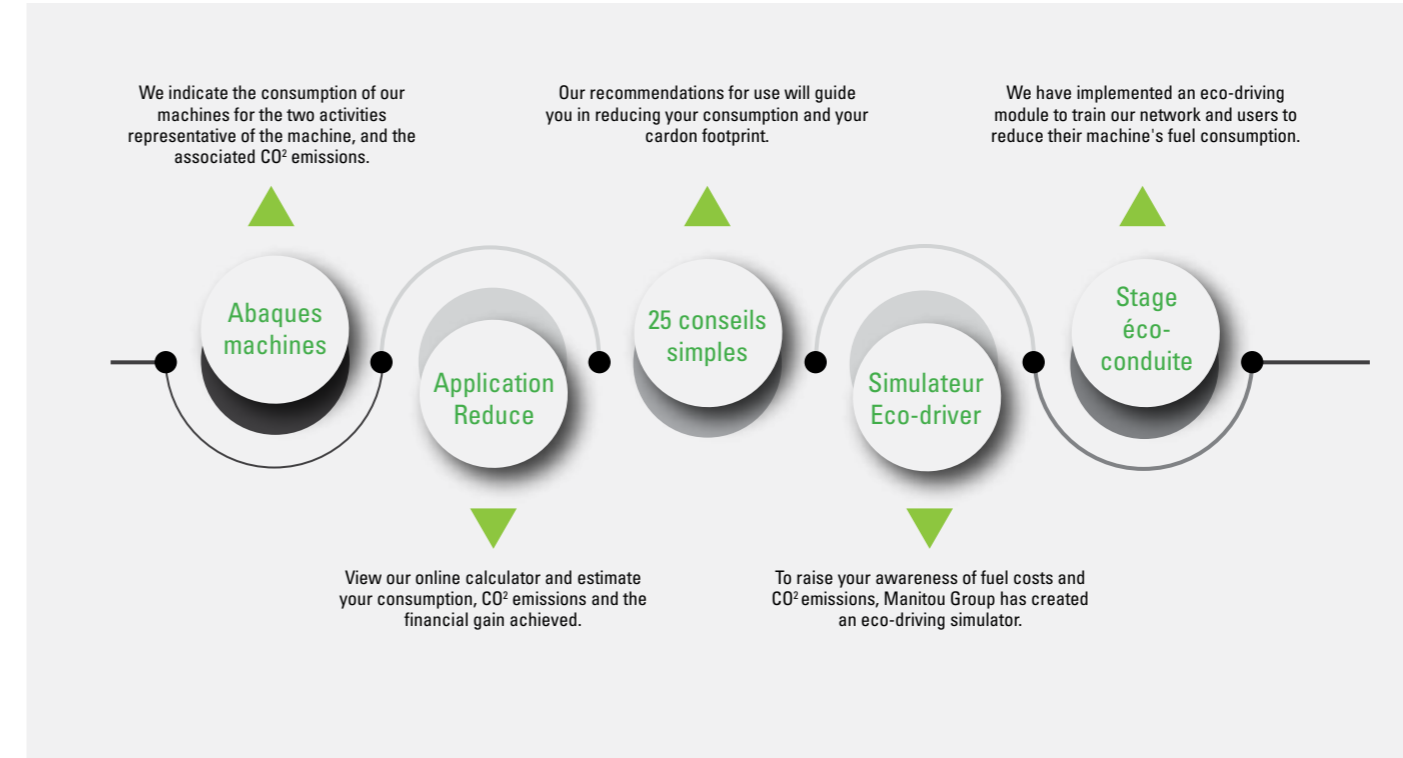
TCO, what is it?

The TCO is the total cost of ownership of an asset, more commonly known as the user cost. This indicator considers fixed costs, such as acquisition interest, rent, residual value..., and also variable costs linked to the use of your machine, such as maintenance, user training...



Do you know the consumption of your machine ?

Unlike the automotive sector, material handling has not yet got a normalised cycle. We have therefore implemented a transparent internal protocol to communicate on our trucks' energy consumption. To give you clear, transparent and reliable information, this data has been verified by a recognised external body.



The REDUCE Fuel Eco-Program has implemented a transparent internal protocol to relay the fuel consumption measurements of our machines MLT, MT and platforms.



Calculate your fuel consumption on reduce.manitou.com

Your dealer:



Head office
B.P. 10249 - 430 rue de l'Aubinière - 44158 Ancenis Cedex - France
Tel.: 00 33 (0)2 40 09 10 11 - Fax: 00 33 (0)2 40 09 10 97

