

**TCM**

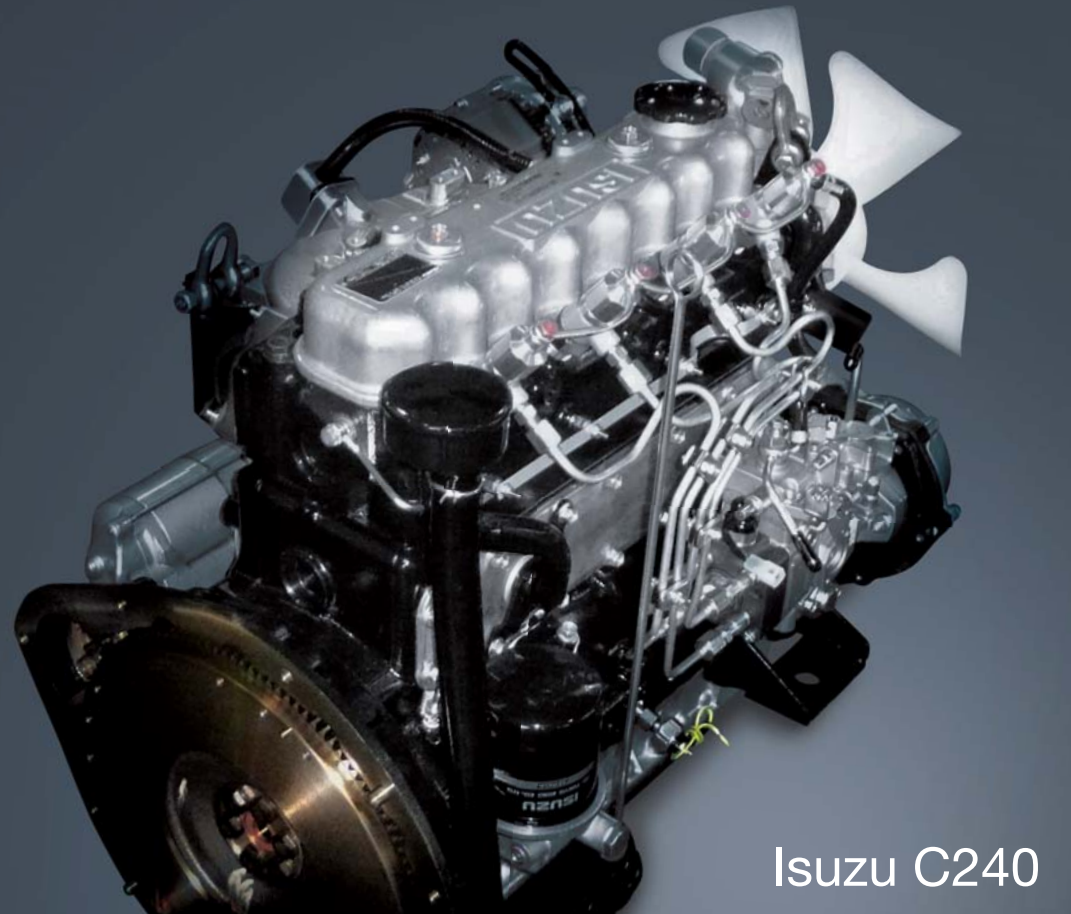


# SMART MACHINE

Engine - powered Forklift

**2-3ton** (Counterbalanced Type)

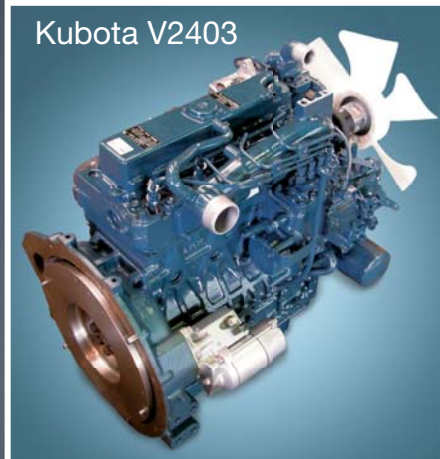




Isuzu C240



GCT K21



Kubota V2403

## Engine line-ups to meet diversified needs

### Smart Machine Series with Isuzu C240, GCT K21 and Kubota V2403

UniCarriers is now pleased to offer Smart Machine Series, the internal combustion engine forklift model with three types of engines, including the two newly added engines.

Smart Machine Series newly welcomed Isuzu C240 diesel engine, which has been installed to TCM iNOMA, and GCT K21, the gasoline engine derived from automobile technology. These two engines and Kubota V2403 diesel engine from the previous model have been widely known as reliable and reputable engines used over a number of units in the field of industrial trucks. As the result, the three engines will meet the diversified needs from the markets increasing the values of Smart Machine Series.

|                  |          | C240         | V2403        | K21          |
|------------------|----------|--------------|--------------|--------------|
| Displacement     | cc       | 2369         | 2434         | 2065         |
| Rated horsepower | kW / rpm | 35.4 / 2500  | 35.5 / 2600  | 34.6 / 2250  |
| Rated torque     | Nm / rpm | 140.0 / 1800 | 156.5 / 1600 | 153.5 / 1600 |

## Comfortable Operator Compartment



### Expansive floor space for easy foot movement

An amazing floor space by placing tilt cylinders under the floor, reserving expansive footwell as well as providing easy entry and exit.



### Multifunctional suspension seat

Features include reinforced driver support, operator weight balance adjustment, recliner and seat belt.



### Reduced fatigue due to circular steering wheel

The small diameter (300mm outer diameter) steering wheel gives improved maneuverability as well as offering easy access to the operator compartment.



### Convenient parking lever

The lever is positioned to the right of the steering wheel for easy entry and exit. A double action brake release on the lever further improves safety.



### Easy entry and exit from an extra wide step

The secure step with enlarged foot step enables greater comfort and less fatigue while getting on and off the truck.



### Portable glove box



### Cup holder

## Excellent Safety



### Innovative fork-landing mechanism

(Available for VM type mast) The fork-lowering speed decelerates at a height of approximately 150mm above the ground enabling accurate placement of the forks into the load fork pockets or pallet.



### High-mounted rear combination lights

The brake lights are easily visible at the top of the overhead guard. Recessed for protection, they are vibration resistant for long bulb life.



### Single-piece headguard

The front and rear pillars are welded together in a single-piece structure to give additional strength to the entire frame.



### Anti-slip mat on the hood

A rubber strip is attached to the hood to prevent slippage while getting on and off.

## Major Options



### Rotating warning light



### Rear working light



### Windshield wiper



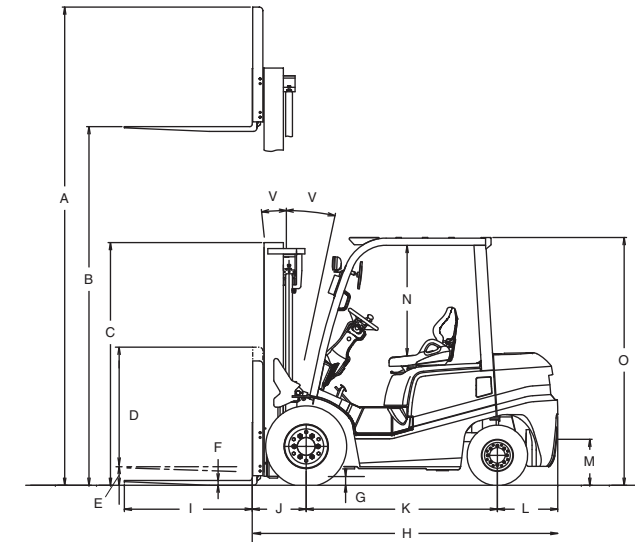
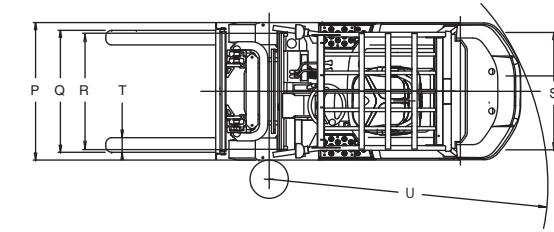
### Insulator kit

# STANDARD SPECIFICATIONS

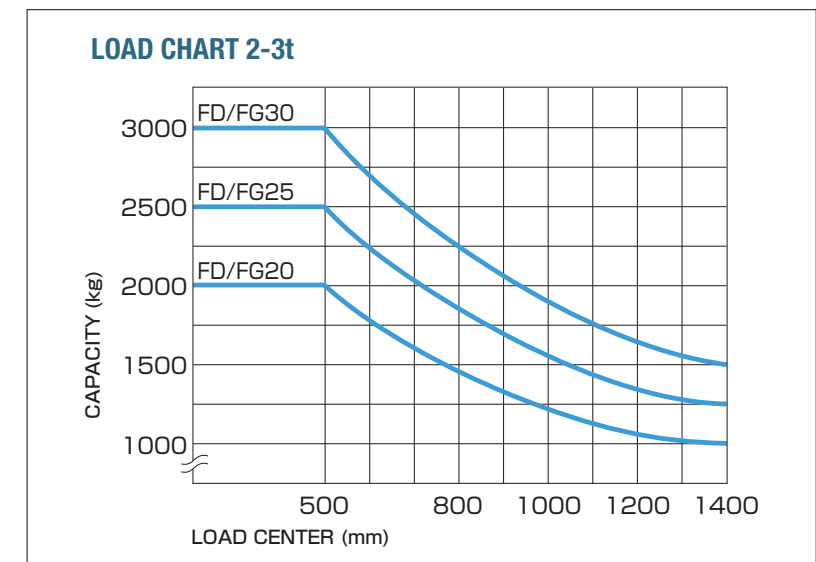
| 1 Manufacturer  |  |  | UniCarriers                  |                 |          |                 |                |                 |         |                 |         |                 |      |                 |     |  |
|---|--|--|------------------------------|-----------------|----------|-----------------|----------------|-----------------|---------|-----------------|---------|-----------------|------|-----------------|-----|--|
| 2 Model   |  |  | FD20T3CZ                     | FD25T3CZ        | FD30T3CZ | FD20T4C         | FD25T4C        | FD30T4C         | FG20T3C | FG25T3C         | FG30T3C |                 |      |                 |     |  |
| 3 Load Capacity   |  |  | kg                           | 2000            | 2500     | 3000            | 2000           | 2500            | 3000    | 2000            | 2500    | 3000            |      |                 |     |  |
| 4 Load Center   |  |  | mm                           | 500             |          |                 | 500            |                 |         | 500             |         |                 |      |                 |     |  |
| 5 Power Type  |  |  |                              | Diesel          |          |                 | Diesel         |                 |         | Gasoline        |         |                 |      |                 |     |  |
| 6 Operator Position   |  |  |                              | Seated          |          |                 | Seated         |                 |         | Seated          |         |                 |      |                 |     |  |
| 7 Tire Type   |  |  |                              | Pneumatic       |          |                 | Pneumatic      |                 |         | Pneumatic       |         |                 |      |                 |     |  |
| 8 Wheels (x=Driven)   |  |  | Front / Rear                 | 2 x / 2         |          |                 | 2 x / 2        |                 |         | 2 x / 2         |         |                 |      |                 |     |  |
| 9 Maximum Fork Height                                       |  |  | mm                           | 3000            |          |                 | 3000           |                 |         | 3000            |         |                 |      |                 |     |  |
| 10 Free Lift  |  |  | mm                           | 110             |          |                 | 110            |                 |         | 165             |         |                 |      |                 |     |  |
| 13 Fork Size  |  |  | L x W x T                    | 1070 x 122 x 40 |          | 1070 x 125 x 45 |                | 1070 x 122 x 40 |         | 1070 x 125 x 45 |         | 1070 x 125 x 45 |      |                 |     |  |
| Fork Spread (Outside)                                       |  |  | Max. / Min.                  | 1020 / 245      |          | 1090 / 250      |                | 1020 / 245      |         | 1090 / 250      |         | 1020 / 245      |      |                 |     |  |
| 14 Tilt Angle   |  |  | Fwd. / Bwd.                  | 6 / 12          |          |                 | 6 / 12         |                 |         | 6 / 12          |         |                 |      |                 |     |  |
| 15 Length to Fork Face                                      |  |  | mm                           | 2485            | 2555     | 2705            | 2485           | 2555            | 2705    | 2485            | 2555    | 2705            |      |                 |     |  |
| 16 Overall Width  |  |  | mm                           | 1150            |          |                 | 1150           |                 |         | 1225            |         |                 |      |                 |     |  |
| 17 Mast Height Fork Lowered                                 |  |  | mm                           | 2030            |          |                 | 2030           |                 |         | 2075            |         |                 |      |                 |     |  |
| 18 Mast Height Fork Raised                                  |  |  | mm                           | 4030            |          |                 | 4030           |                 |         | 4250            |         |                 |      |                 |     |  |
| 19 Overhead Guard Height                                    |  |  | mm                           | 2070 (2130)     |          | 2090 (2150)     |                | 2070 (2130)     |         | 2090 (2150)     |         | 2070 (2130)     |      |                 |     |  |
| 20 Operator Seat Height                                     |  |  | mm                           | 1045            |          |                 | 1070           |                 |         | 1070            |         |                 |      |                 |     |  |
| 21 Turning Radius (Outside)                                 |  |  | mm                           | 2170            | 2240     | 2400            | 2170           | 2240            | 2400    | 2170            | 2240    | 2400            |      |                 |     |  |
| 22 Load Distance  |  |  | mm                           | 450             |          |                 | 450            |                 |         | 480             |         |                 |      |                 |     |  |
| Rear Overhang   |  |  | mm                           | 435             | 505      | 525             | 435            | 505             | 525     | 435             | 505     | 525             |      |                 |     |  |
| 23 Basic Right Angle Stacking Aisle Width (1100mm x 1100mm) |  |  | mm                           | 3920            |          | 3990            |                | 4180            |         | 3920            |         | 4180            |      |                 |     |  |
| 24 Speed  |  |  | Max. Travel                  | Full Load       | 18.5     |                 | 18.5           |                 | 18.5    |                 | 18.5    |                 | 19.0 |                 |     |  |
|   |  |  |                              | No Load         | 19.0     |                 | 19.5           |                 | 19.0    |                 | 19.5    |                 | 19.5 |                 |     |  |
|   |  |  | Lifting                      | Full Load       | 550      |                 | 450            |                 | 530     |                 | 450     |                 | 520  |                 | 440 |  |
|   |  |  |                              | No Load         | 580      |                 | 470            |                 | 600     |                 | 490     |                 | 580  |                 | 490 |  |
| 26 Lowering   |  |  | Full Load                    | 450             |          |                 | 450            |                 |         | 450             |         |                 |      |                 |     |  |
|   |  |  | No Load                      | 550             |          |                 | 450            |                 |         | 550             |         |                 | 450  |                 |     |  |
| 28 Max. Drawbar Pull  |  |  | Full Load                    | 14.7            |          | 13.7            |                | 16.7            |         | 14.7            |         | 14.2            |      |                 |     |  |
|   |  |  | No Load                      | 8.3             |          | 9.8             |                | 8.3             |         | 9.8             |         | 8.3             |      |                 |     |  |
| 30 Max. Gradeability  |  |  | Full Load                    | 25              |          | 20              |                | 28              |         | 23              |         | 28              |      |                 |     |  |
|   |  |  | No Load                      | 20              |          | 18              |                | 20              |         | 20              |         | 18              |      | 20              |     |  |
| 32 Total Weight   |  |  | kg                           | 3270            | 3630     | 4240            | 3275           | 3640            | 4245    | 3165            | 3530    | 4135            |      |                 |     |  |
| 33 Weight Distribution                                      |  |  | Full Load                    | Front           | 4655     | 5385            | 6315           | 4660            | 5395    | 6335            | 4610    | 5345            | 6265 |                 |     |  |
|   |  |  |                              | Rear            | 615      | 745             | 925            | 615             | 745     | 910             | 555     | 685             | 870  |                 |     |  |
| 34 No Load  |  |  | Front                        | 1470            | 1400     | 1585            | 1480           | 1410            | 1605    | 1425            | 1360    | 1535            |      |                 |     |  |
|   |  |  | Rear                         | 1800            | 2230     | 2655            | 1795           | 2230            | 2640    | 1740            | 2170    | 2600            |      |                 |     |  |
| 35 Tires  |  |  | Number                       | 2 / 2           |          |                 | 2 / 2          |                 |         | 2 / 2           |         |                 |      |                 |     |  |
| 36 Size   |  |  | Front                        | 7.00-12-12PR    |          | 28 x 9-15-12PR  |                | 7.00-12-12PR    |         | 28 x 9-15-12PR  |         | 7.00-12-12PR(I) |      |                 |     |  |
|   |  |  | Rear                         | 6.00-9-10PR     |          | 6.50-10-10PR    |                | 6.00-9-10PR     |         | 6.50-10-10PR    |         | 6.00-9-10PR(I)  |      | 6.50-10-10PR(I) |     |  |
| 37 Wheelbase  |  |  | mm                           | 1600            |          |                 | 1700           |                 |         | 1600            |         |                 |      |                 |     |  |
| 38 Tread  |  |  | Front                        | 970             |          |                 | 1000           |                 |         | 970             |         |                 |      |                 |     |  |
|   |  |  | Rear                         | 970             |          |                 | 970            |                 |         | 970             |         |                 |      |                 |     |  |
| 39 Backrest Height  |  |  | mm                           | 1000            |          |                 | 1220           |                 |         | 1000            |         |                 |      |                 |     |  |
| Overhead Guard Clearance                                    |  |  | mm                           | 1000 (1060)     |          |                 | 1000 (1060)    |                 |         | 1000 (1060)     |         |                 |      |                 |     |  |
| Counterweight Height  |  |  | mm                           | 1110            |          |                 | 1130           |                 |         | 1110            |         |                 |      |                 |     |  |
| Drawbar Pin Center Height                                   |  |  | mm                           | 530             |          |                 | 560            |                 |         | 530             |         |                 |      |                 |     |  |
| Floor Height  |  |  | mm                           | 650             |          |                 | 680            |                 |         | 650             |         |                 |      |                 |     |  |
| 40 Underclearance   |  |  | mm                           | 110             |          |                 | 140            |                 |         | 110             |         |                 |      |                 |     |  |
| 41 Center of Wheelbase                                      |  |  | mm                           | 120             |          |                 | 145            |                 |         | 120             |         |                 |      |                 |     |  |
| 42 Brake  |  |  | Service                      | Foot            |          |                 | Foot           |                 |         | Foot            |         |                 |      |                 |     |  |
|   |  |  | Parking                      | Hand            |          |                 | Hand           |                 |         | Hand            |         |                 |      |                 |     |  |
| 45 Battery  |  |  | Voltage / Capacity (5 hours) | 12 / 55         |          |                 | 12 / 55        |                 |         | 12 / 55         |         |                 |      |                 |     |  |
| 49 Internal Combustion Engine                               |  |  | Manufacturer / Model         | Isuzu / C240    |          |                 | Kubota / V2403 |                 |         | GCT / K21       |         |                 |      |                 |     |  |
|   |  |  | Rated Horsepower / rpm       | 35.4 / 2500     |          |                 | 35.5 / 2600    |                 |         | 34.6 / 2250     |         |                 |      |                 |     |  |
|   |  |  | Rated Torque / rpm           | 140.0 / 1800    |          |                 | 156.5 / 1600   |                 |         | 153.5 / 1600    |         |                 |      |                 |     |  |
|   |  |  | Number of Cylinders          | 4               |          |                 | 4              |                 |         | 4               |         |                 |      |                 |     |  |
|   |  |  | Piston Displacement          | 2369            |          |                 | 2434           |                 |         | 2065            |         |                 |      |                 |     |  |
|   |  |  | Alternator Output            | 0.54            |          |                 | 0.72           |                 |         | 0.6             |         |                 |      |                 |     |  |
| 52 Fuel Tank Capacity                                       |  |  | lit.                         | 70              |          |                 | 70             |                 |         | 70              |         |                 |      |                 |     |  |
| 55 Transmission   |  |  | Type                         | Automatic       |          |                 | Automatic      |                 |         | Automatic       |         |                 |      |                 |     |  |
|   |  |  | Stage                        | Fwd. - Rvs.     | 1 / 1    |                 |                | 1 / 1           |         |                 | 1 / 1   |                 |      |                 |     |  |
| 57 Operating Pressure                                       |  |  | kg/cm <sup>2</sup>           | 17.7            |          |                 | 17.7           |                 |         | 17.7            |         |                 |      |                 |     |  |

Overhead guard height and overhead guard clearance with (\*): Each shows the figure for Australian & New Zealand markets

# DIMENSIONS



| GROUND CLEARANCE | FD/FG20 | FD/FG25 | FD/FG30 |
|------------------|---------|---------|---------|
|                  | mm      | mm      | mm      |
| Mast             | 110     | 110     | 140     |
| Frame            | 120     | 120     | 145     |
| Front axle       | 125     | 125     | 145     |
| Rear axle        | 150     | 150     | 175     |
| Counter weight   | 155     | 155     | 185     |





# WIDE VIEW MAST

## Wide View Mast VM

| Mast Model | Rated Capacity 500mm load center(kg) |               |               |               | Max. Fork Height<br>mm | Overall Mast Height |                            |              | Tilting Angle<br>F/B<br>deg | Service Weight(kg) |         |      |      |      |  |
|------------|--------------------------------------|---------------|---------------|---------------|------------------------|---------------------|----------------------------|--------------|-----------------------------|--------------------|---------|------|------|------|--|
|            | FD/FG20                              |               | FD/FG25       |               |                        | Lowered<br>mm       | Raised with Backrest<br>mm | FD/FG20      |                             |                    | FD/FG25 |      |      |      |  |
|            | PNEUMATIC                            | UNIQUE(SE)    | PNEUMATIC     | UNIQUE(SE)    |                        |                     |                            | T3CZ         |                             | T4C                | T3C     | T3CZ | T4C  | T3C  |  |
| VM300      | 2000                                 | 2000          | 2500          | 2500          | 3000                   | 2030                | 4030                       | 6-12         | 3270                        | 3275               | 3165    | 3630 | 3640 | 3530 |  |
| VM350      | 2000                                 | 2000          | 2500          | 2500          | 3500                   | 2280                | 4530                       | 6-12         | 3310                        | 3315               | 3205    | 3670 | 3680 | 3570 |  |
| VM375      | 2000                                 | 2000          | 2500          | 2500          | 3750                   | 2405                | 4780                       | 6-6<br>*6-12 | 3330                        | 3335               | 3225    | 3690 | 3700 | 3590 |  |
| VM400      | 2000                                 | 2000          | 2500          | 2500          | 4000                   | 2580                | 5030                       | 6-6<br>*6-12 | 3385                        | 3390               | 3280    | 3745 | 3755 | 3645 |  |
| VM450      | 1900<br>*1950                        | 1900<br>*1950 | 2150<br>*2450 | 2350<br>*2450 | 4500                   | 2830                | 5530                       | 6-6<br>*6-12 | 3425                        | 3430               | 3320    | 3785 | 3795 | 3685 |  |
| VM500      | 1650<br>*1700                        | 1700          | 1700<br>*2250 | 2000<br>*2250 | 5000                   | 3080                | 6030                       | 6-6          | 3465                        | 3470               | 3360    | 3825 | 3835 | 3725 |  |
| VM550      | *1500                                | *1500         | *1700         | *1700         | 5500                   | 3380                | 6530                       | *3-6         | 3645                        | 3650               | 3540    | 4005 | 4015 | 3905 |  |
| VM600      | *1300                                | *1300         | *1400         | *1400         | 6000                   | 3630                | 7030                       | *3-6         | 3685                        | 3690               | 3580    | 4045 | 4055 | 3945 |  |

## Wide View Full Free 2-Stage Mast VFM

| Mast Model | Rated Capacity 500mm load center(kg) |               |               |               | Max. Fork Height<br>mm | Overall Mast Height |                               |         | (2)Free lift with Backrest<br>mm | Tilting Angle<br>F/B<br>deg | (3) Service Weight(kg) |      |      |      |      |  |
|------------|--------------------------------------|---------------|---------------|---------------|------------------------|---------------------|-------------------------------|---------|----------------------------------|-----------------------------|------------------------|------|------|------|------|--|
|            | FD/FG20                              |               | FD/FG25       |               |                        | Lowered<br>mm       | (1)Raised with Backrest<br>mm | FD/FG20 |                                  |                             | FD/FG25                |      |      |      |      |  |
|            | PNEUMATIC                            | UNIQUE(SE)    | PNEUMATIC     | UNIQUE(SE)    |                        |                     |                               | T3CZ    |                                  |                             | T4C                    | T3C  | T3CZ | T4C  | T3C  |  |
| VFM250     | 2000                                 | 2000          | 2500          | 2500          | 2500                   | 1780                | 3530                          | 780     | 6-12                             | 3285                        | 3290                   | 3180 | 3645 | 3655 | 3545 |  |
| VFM270     | 2000                                 | 2000          | 2500          | 2500          | 2700                   | 1880                | 3730                          | 880     | 6-12                             | 3305                        | 3310                   | 3200 | 3665 | 3675 | 3565 |  |
| VFM275     | 2000                                 | 2000          | 2500          | 2500          | 2750                   | 1905                | 3780                          | 905     | 6-12                             | 3310                        | 3315                   | 3205 | 3670 | 3680 | 3570 |  |
| VFM300     | 2000                                 | 2000          | 2500          | 2500          | 3000                   | 2030                | 4030                          | 1030    | 6-12                             | 3330                        | 3335                   | 3225 | 3690 | 3700 | 3590 |  |
| VFM330     | 2000                                 | 2000          | 2500          | 2500          | 3300                   | 2180                | 4330                          | 1180    | 6-12                             | 3355                        | 3360                   | 3250 | 3715 | 3725 | 3615 |  |
| VFM350     | 2000                                 | 2000          | 2500          | 2500          | 3500                   | 2280                | 4530                          | 1280    | 6-12                             | 3370                        | 3375                   | 3265 | 3730 | 3740 | 3630 |  |
| VFM375     | 2000                                 | 2000          | 2500          | 2500          | 3750                   | 2405                | 4780                          | 1405    | 6-6<br>*6-12                     | 3390                        | 3395                   | 3285 | 3750 | 3760 | 3650 |  |
| VFM400     | 2000                                 | 2000          | 2500          | 2500          | 4000                   | 2580                | 5030                          | 1580    | 6-6<br>*6-12                     | 3450                        | 3455                   | 3345 | 3810 | 3820 | 3710 |  |
| VFM450     | 1900<br>*1950                        | 1900<br>*1950 | 2150<br>*2450 | 2350<br>*2450 | 4500                   | 2830                | 5530                          | 1830    | 6-6<br>*6-12                     | 3495                        | 3500                   | 3390 | 3855 | 3865 | 3755 |  |
| VFM500     | 1650<br>*1700                        | 1700          | 1700<br>*2250 | 2000<br>*2250 | 5000                   | 3080                | 6030                          | 2080    | 6-6                              | 3535                        | 3540                   | 3430 | 3895 | 3905 | 3795 |  |

NOTE : (1) For height without backrest: -385mm  
 (2) For free lift without backrest: +385mm  
 (3) Weight for without backrest: -20kg

## Wide View Full Free 3-Stage Mast VFHM

| Mast Model | Rated Capacity 500mm load center(kg) |               |               |               | Max. Fork Height<br>mm | Overall Mast Height |                               |         | (2)Free lift with Backrest<br>mm | Tilting Angle<br>F/B<br>deg | (3) Service Weight(kg) |      |      |      |      |  |
|------------|--------------------------------------|---------------|---------------|---------------|------------------------|---------------------|-------------------------------|---------|----------------------------------|-----------------------------|------------------------|------|------|------|------|--|
|            | FD/FG20                              |               | FD/FG25       |               |                        | Lowered<br>mm       | (1)Raised with Backrest<br>mm | FD/FG20 |                                  |                             | FD/FG25                |      |      |      |      |  |
|            | PNEUMATIC                            | UNIQUE(SE)    | PNEUMATIC     | UNIQUE(SE)    |                        |                     |                               | T3CZ    |                                  |                             | T4C                    | T3C  | T3CZ | T4C  | T3C  |  |
| VFHM360    | 2000                                 | 2000          | 2500          | 2500          | 3600                   | 1780                | 4630                          | 780     | 6-6<br>*6-10                     | 3425                        | 3430                   | 3320 | 3785 | 3795 | 3685 |  |
| VFHM400    | 2000                                 | 2000          | 2500          | 2500          | 4000                   | 1905                | 5030                          | 905     | 6-6<br>*6-10                     | 3455                        | 3460                   | 3350 | 3815 | 3825 | 3715 |  |
| VFHM435    | 1900<br>*2000                        | 1900<br>*2000 | 2200<br>*2400 | 2300<br>*2400 | 4350                   | 2030                | 5380                          | 1030    | 6-6<br>*6-10                     | 3485                        | 3490                   | 3380 | 3845 | 3855 | 3745 |  |
| VFHM480    | 1700<br>*1900                        | 1800<br>*1900 | 1900<br>*2300 | 2200<br>*2300 | 4800                   | 2180                | 5830                          | 1180    | 6-6<br>*6-10                     | 3515                        | 3520                   | 3410 | 3875 | 3885 | 3775 |  |
| VFHM500    | 1500<br>*1800                        | 1750<br>*1800 | 1600<br>*2250 | 2000<br>*2250 | 5000                   | 2280                | 6030                          | 1280    | 6-6<br>*6-10                     | 3540                        | 3545                   | 3435 | 3900 | 3910 | 3800 |  |
| VFHM540    | 1200<br>*1750                        | 1650<br>*1750 | 1300<br>*2150 | 1700<br>*2150 | 5400                   | 2405                | 6430                          | 1405    | 3-6                              | 3570                        | 3575                   | 3465 | 3930 | 3940 | 3830 |  |
| VFHM550    | 1150<br>*1750                        | 1600<br>*1750 | 1250<br>*2100 | 1650<br>*2100 | 5500                   | 2445                | 6530                          | 1445    | 3-6                              | 3580                        | 3585                   | 3475 | 3940 | 3950 | 3840 |  |
| VFHM600    | 900<br>*1650                         | 1100<br>*1650 | 950<br>*1800  | 1100<br>*1800 | 6000                   | 2630                | 7030                          | 1630    | 3-6                              | 3665                        | 3670                   | 3560 | 4025 | 4035 | 3925 |  |
| VFHM650    | *1500                                | *1500         | *1550         | *1550         | 6500                   | 2845                | 7530                          | 1845    | 3-3                              | 3825                        | 3830                   | 3720 | 4185 | 4195 | 4085 |  |
| VFHM700    | *1250                                | *1250         | *1250         | *1250         | 7000                   | 3065                | 8030                          | 2065    | 3-3                              | 3880                        | 3885                   | 3775 | 4240 | 4250 | 4140 |  |

NOTE : (1) For height without backrest: -455mm  
 (2) For free lift without backrest: +455mm  
 (3) Weight for without backrest: -20kg

### NOTE :

Rated capacity with (\*): Shows capacity with DD (double tires).  
 Each service weight of VM550/600 and VFHM650/700 represents the weight of truck equipped with DD (double tires).  
 Additional truck weight: +105kg for DD (double tires) and +120kg for SDD (special double tires).  
 Lifting speed with VFM mast:  
 With load: 440mm/s (T3CZ) or 480mm/s (T4C and T3C)  
 Without load: 500mm/s (T3CZ) or 520mm/s (T4C and T3C)  
 Lifting speed with VFHM mast:  
 With load: 460mm/s (T3CZ) or 500mm/s (T4C and T3C)  
 Without load: 520mm/s (T3CZ) or 540mm/s (T4C and T3C)  
 Lowering speed with VFM/VFHM mast: 400mm/s with load and 350mm/s without load.  
 Overall truck length with VFHM mast: +15mm longer than that of standard model with VM/VFM mast.

## Wide View Mast VM

| Mast Model | Rated Capacity 500mm load center(kg) |            | Max. Fork Height<br>mm | Overall Mast Height |                            | Tilting Angle<br>F/B<br>deg | Service Weight(kg) |      |      |
|------------|--------------------------------------|------------|------------------------|---------------------|----------------------------|-----------------------------|--------------------|------|------|
|            | FD/FG30                              |            |                        | Lowered<br>mm       | Raised with Backrest<br>mm |                             | FD/FG30            |      |      |
|            | PNEUMATIC                            | UNIQUE(SE) |                        |                     |                            |                             | T3CZ               | T4C  | T3C  |
| VM300      | 3000                                 | 3000       | 3000                   | 2075                | 4250                       | 6-12                        | 4240               | 4245 | 4135 |
| VM350      | 3000                                 | 3000       | 3500                   | 2325                | 4750                       | 6-12                        | 4280               | 4285 | 4175 |
| VM375      | 3000                                 | 3000       | 3750                   | 2450                | 5000                       | 6-6<br>*6-12                | 4300               | 4305 | 4195 |
| VM400      | 3000                                 | 3000       | 4000                   | 2625                | 5250                       | 6-6<br>*6-12                | 4360               | 4365 | 4255 |
| VM450      | 2800<br>*3000                        | 3000       | 4500                   | 2875                | 5750                       | 6-6<br>*6-12                | 4400               | 4405 | 4295 |
| VM500      | 2700<br>*2850                        | 2850       | 5000                   | 3125                | 6250                       | 6-6                         | 4445               | 4450 | 4340 |
| VM550      | *2400                                | *2400      | 5500                   | 3425                | 6750                       | *3-6                        | 4625               | 4630 | 4520 |
| VM600      | *2000                                | *2000      | 6000                   | 3675                | 7250                       | *3-6                        | 4665               | 4670 | 4560 |

## Wide View Full Free 2-Stage Mast VFM

| Mast Model | Rated Capacity 500mm load center(kg) |            | Max. Fork Height<br>mm | Overall Mast Height |                               | (2)Free lift with Backrest<br>mm | Tilting Angle<br>F/B<br>deg | (3) Service Weight(kg) |      |      |
|------------|--------------------------------------|------------|------------------------|---------------------|-------------------------------|----------------------------------|-----------------------------|------------------------|------|------|
|            | FD/FG30                              |            |                        | Lowered<br>mm       | (1)Raised with Backrest<br>mm |                                  |                             | FD/FG30                |      |      |
|            | PNEUMATIC                            | UNIQUE(SE) |                        |                     |                               |                                  |                             | T3CZ                   | T4C  | T3C  |
| VFM250     | 3000                                 | 3000       | 2500                   | 1825                | 3750                          | 600                              | 6-10                        | 4240                   | 4245 | 4135 |
| VFM270     | 3000                                 | 3000       | 2700                   | 1925                | 3950                          | 700                              | 6-10                        | 4255                   | 4260 | 4150 |
| VFM275     | 3000                                 | 3000       | 2750                   | 1950                | 4010                          | 725                              | 6-12                        | 4260                   | 4265 | 4155 |
| VFM300     | 3000                                 | 3000       | 3000                   | 2075                | 4250                          | 850                              | 6-12                        | 4285                   | 4290 | 4180 |
| VFM330     | 3000                                 | 3000       | 3300                   | 2225                | 4550                          | 1000                             | 6-12                        | 4310                   | 4315 | 4205 |
| VFM350     | 3000                                 | 3000       | 3500                   | 2325                | 4750                          | 1100                             | 6-12                        | 4325                   | 4330 | 4220 |
| VFM375     | 3000                                 | 3000       | 3750                   | 2450                | 5000                          | 1225                             | 6-6<br>*6-12                | 4350                   | 4355 | 4245 |
| VFM400     | 3000                                 | 3000       | 4000                   | 2625                | 5250                          | 1400                             | 6-6<br>*6-12                | 4415                   | 4420 | 4310 |
| VFM450     | 2800<br>*3000                        | 3000       | 4500                   | 2875                | 5750                          | 1650                             | 6-6<br>*6-12                | 4455                   | 4460 | 4350 |
| VFM500     | 2700<br>*2850                        | 2850       | 5000                   | 3125                | 6250                          | 1900                             | 6-6                         | 4500                   | 4505 | 4395 |

NOTE : (1) For height without backrest: -520mm  
 (2) For free lift without backrest: +520mm  
 (3) Weight for without backrest: -30kg

## Wide View Full Free 3-Stage Mast VFHM

| Mast Model | Rated Capacity 500mm load center(kg) |               | Max. Fork Height<br>mm | Overall Mast Height |                               | (2)Free lift with Backrest<br>mm | Tilting Angle<br>F/B<br>deg | (3) Service Weight(kg) |      |      |
|------------|--------------------------------------|---------------|------------------------|---------------------|-------------------------------|----------------------------------|-----------------------------|------------------------|------|------|
|            | FD/FG30                              |               |                        | Lowered<br>mm       | (1)Raised with Backrest<br>mm |                                  |                             | FD/FG30                |      |      |
|            | PNEUMATIC                            | UNIQUE(SE)    |                        |                     |                               |                                  |                             | T3CZ                   | T4C  | T3C  |
| VFHM360    | 3000                                 | 3000          | 3600                   | 1825                | 4860                          | 600                              | 6-6<br>*6-10                | 4385                   | 4390 | 4280 |
| VFHM400    | 3000                                 | 3000          | 4000                   | 1950                | 5260                          | 725                              | 6-6<br>*6-10                | 4415                   | 4420 | 4310 |
| VFHM435    | 2900<br>*3000                        | 2900<br>*3000 | 4350                   | 2075                | 5610                          | 850                              | 6-6<br>*6-10                | 4450                   | 4455 | 4345 |
| VFHM480    | 2800<br>*2900                        | 2800<br>*2900 | 4800                   | 2225                | 6060                          | 1000                             | 6-6<br>*6-10                | 4485                   | 4490 | 4380 |
| VFHM500    | 2600<br>*2750                        | 2750          | 5000                   | 2325                | 6260                          | 1100                             | 6-6<br>*6-10                | 4510                   | 4515 | 4405 |
| VFHM540    | 1900<br>*2650                        | 2500<br>*2650 | 5400                   | 2450                | 6660                          | 1225                             | 3-6                         | 4545                   | 4550 | 4440 |
| VFHM550    | 1900<br>*2600                        | 2450<br>*2600 | 5500                   | 2490                | 6760                          | 1265                             | 3-6                         | 4555                   | 4560 | 4450 |
| VFHM600    | 1400<br>*2100                        | 1850<br>*2100 | 6000                   | 2675                | 7260                          | 1450                             | 3-6                         | 4640                   | 4645 | 4535 |
| VFHM650    | *1700                                | *1700         | 6500                   | 2890                | 7760                          | 1665                             | 3-3                         | 4810                   | 4815 | 4705 |
| VFHM700    | *1350                                | *1350         | 7000                   | 3110                | 8260                          | 1885                             | 3-3                         | 4865                   | 4870 | 4760 |

NOTE : (1) For height without backrest: -580mm  
 (2) For free lift without backrest: +580mm  
 (3) Weight for without backrest: -30kg

### NOTE :

Rated capacity with (\*): Shows capacity with DD (double tires).  
 Each service weight of VM550/600 and VFHM650/700 represents the weight of trucks equipped with DD (double tires).  
 Additional truck weight: +35kg for DD (double tires) and +150kg for SDD (special double tires).  
 Lifting speed with VFM mast:  
 With load: 400mm/s (T3CZ), 410mm/s (T4C) and 420mm/s (T3C)  
 Without load: 410mm/s (T3CZ) and 440mm/s (T4C and T3C)  
 Lifting speed with VFHM mast:  
 With load: 420mm/s (T3CZ and T4C) and 430mm/s (T3C)  
 Without load: 430mm/s (T3CZ), 450mm/s (T4C) and 550mm/s (T3C)  
 Lowering speed with VFM/VFHM mast: 400mm/s with load and 350mm/s without load.  
 Overall truck length with VFHM mast: +15mm longer than that of standard model with VM/VFM mast.

- UniCarriers Corporation retains the right to change these products and specifications without incurring any obligation relating to such changes.
- These products and specifications are subject to change without notice.
- Photos and illustrations may slightly differ from the actual trucks.
- Photos and illustrations may or may not include optional equipment and accessories.
- Features and specifications may vary depending on markets.
- Performance data and dimensions are nominal and subject to tolerances.
- Produced in ISO certified factory.